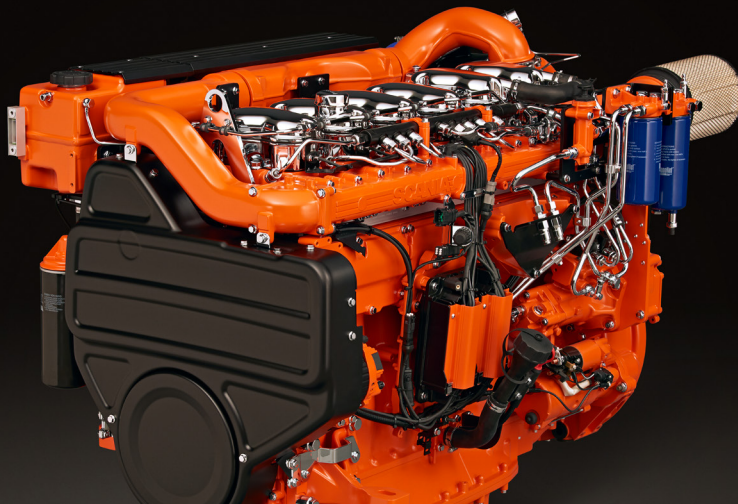




DI13 088M. 478 kW (650 hp)

US Tier 3, IMO Tier II, EU Stage IIIA



Standard equipment

- Scania Engine Management System, EMS
- Extra high pressure fuel injection system, XPI
- Turbocharger
- Fuel pre-filter with water separator
- Fuel filter
- Oil filter, full flow
- Centrifugal oil cleaner
- Oil cooler, integrated in block
- Oil filler, in engine block
- Oil dipstick, in block
- Starter, 2-pole 7.0 kW
- Alternator, 2-pole 100A
- Flywheel SAE 14
- Silumin flywheel housing, SAE 1 flange
- Front-mounted engine brackets
- Protection covers
- Closed crankcase ventilation
- Operator's manual

The marine engines from Scania are based on a robust design with a strength optimised cylinder block containing wet cylinder liners that can easily be exchanged. Individual cylinder heads with 4 valves per cylinder promotes repairability and fuel economy.

The engine is equipped with a Scania developed Engine Management System, EMS, in order to ensure the control of all aspects related to engine performance. The injection system is Scania's XPI (Extra High Pressure Injection), a common rail system that gives low exhaust emissions with good fuel economy and a high torque. The engine can be equipped with many accessories such as air cleaners, PTOs, transmissions and type approved instrumentation in order to suit a variety of installations.

	Rating	Engine speed (rpm)			
		1200	1500	1800	2100
Gross power, full load (kW)	IFN	303	452	475	478
Gross power, full load (hp, metric)		412	614	646	650
Gross power, propeller curve (kW)		118	206	325	478
Gross power, propeller curve (hp, metric)		160	280	442	650
Gross torque (Nm)		2410	2875	2520	2174
Spec fuel consumption. Full load (g/kWh)		213	199	198	214
Spec fuel consumption. Propeller curve (l/h)		29	52	81	122
Optimum fuel consumption (g/kWh)		198			
Heat rejection to coolant* (kW)		245	307	323	357

*Including charge air

IFN – Intermittent service: Intended for intermittent use where rated power is available 1 h/3 h. Accumulated load factor must not exceed 80% of rated power. Unlimited h/year service time.

This specification may be revised without notice.

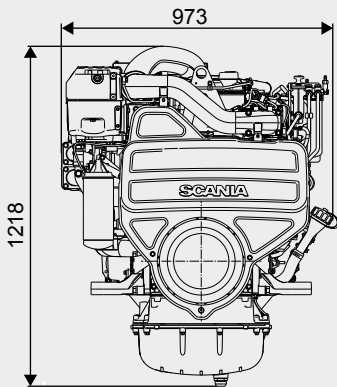
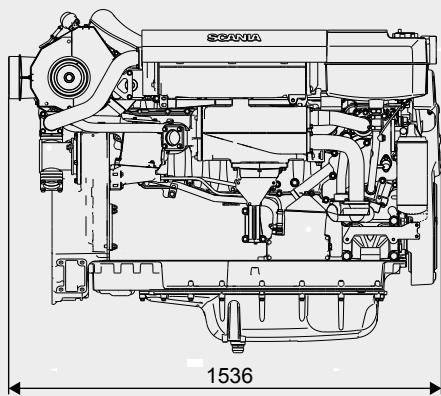


DI13 088M. 478 kW (650 hp)

US Tier 3, IMO Tier II, EU Stage IIIA

Engine description

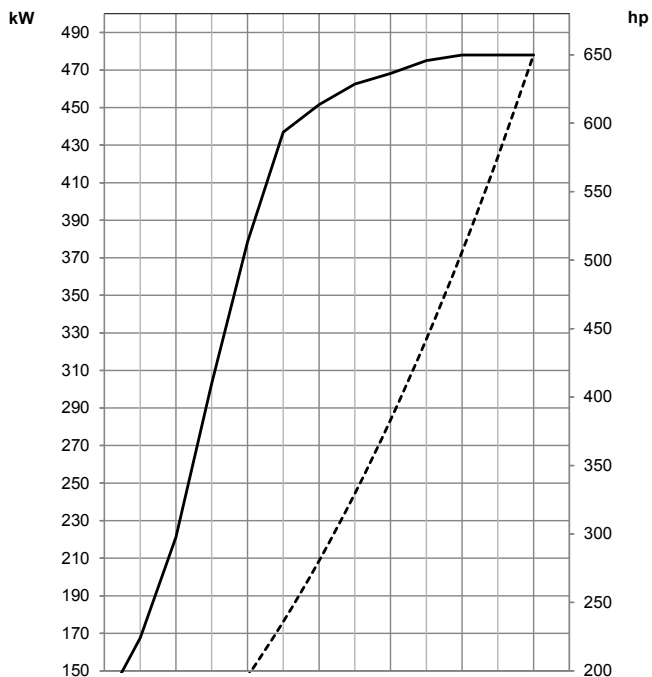
No of cylinders	6 in-line
Working principle	4-stroke
Firing order	1 - 5 - 3 - 6 - 2 - 4
Displacement	12.7 litres
Bore x stroke	130 x 160 mm
Compression ratio	17.3:1
Weight (excl oil and coolant)	1180 kg
Oil capacity	28-34 dm ³ (standard oil sump)
Electrical system	2-pole 24V



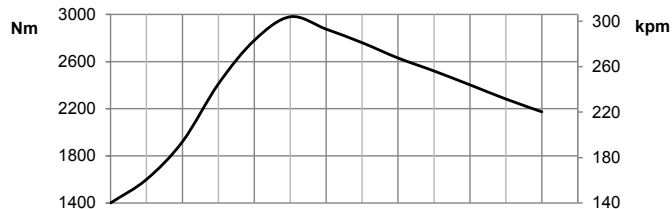
All dimensions in mm

Edition 01 © Scania CV AB, SE-151 87 Södertälje, Sweden

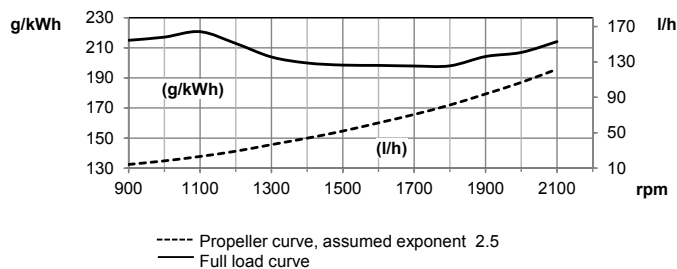
Output



Torque



Spec fuel consumption



----- Propeller curve, assumed exponent 2.5
 ——— Full load curve

Test conditions Air temperature +25°C. Barometric pressure 100 kPa (750 mmHg). Humidity 30%. Diesel fuel acc. to ECE R 24 Annex 6. Density of fuel 0.840 kg/dm³. Viscosity of fuel 3.0 cSt at 40°C. Energy value 42700 kJ/kg. **Power test code** ISO 3046. Power and fuel values +/-3%.



SCANIA

SE 151 87 Södertälje, Sweden
 Telephone +46 8 553 810 00
 Telefax +46 8 553 829 93
 www.scania.com
 engines@scania.com