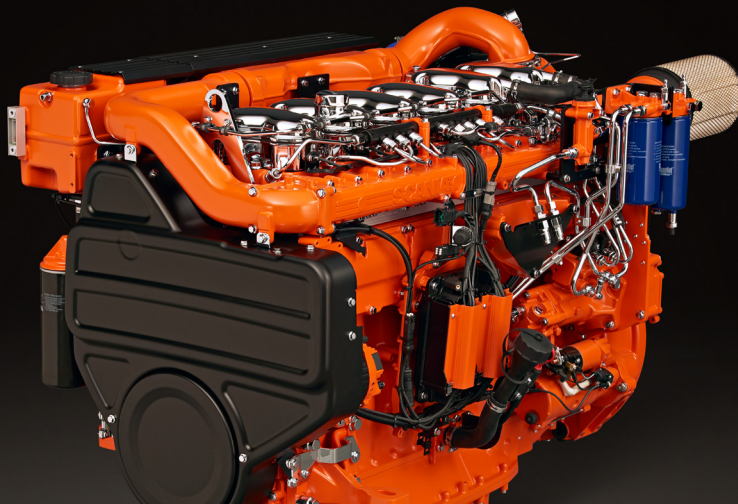




# DI13 087M. 515 kW (700 hp)

US Tier 3, IMO Tier II, EU Stage IIIA



### Standard equipment

- Scania Engine Management System, EMS
- Extra high pressure fuel injection system, XPI
- Turbocharger
- Fuel pre-filter with water separator
- Fuel filter
- Oil filter, full flow
- Centrifugal oil cleaner
- Oil cooler, integrated in block
- Oil filler, in engine block
- Oil dipstick, in block
- Starter, 2-pole 7.0 kW
- Alternator, 2-pole 100A
- Flywheel SAE 14
- Silumin flywheel housing, SAE 1 flange
- Front-mounted engine brackets
- Protection covers
- Closed crankcase ventilation
- Sea water pump
- Heat exchanger with expansion tank

The marine engines from Scania are based on a robust design with a strength optimised cylinder block containing wet cylinder liners that can easily be exchanged. Individual cylinder heads with 4 valves per cylinder promotes reparability and fuel economy.

The engine is equipped with a Scania developed Engine Management System, EMS, in order to ensure the control of all aspects related to engine performance. The injection system is Scania's XPI (Extra High Pressure Injection), a common rail system that gives low exhaust emissions with good fuel economy and a high torque. The engine can be equipped with many accessories such as air cleaners, PTOs, transmissions and type approved instrumentation in order to suit a variety of installations.

	Rating	Engine speed (rpm)			
		1200	1500	1800	2100
Gross power, full load (kW)	IFN	324	467	507	515
Gross power, full load (hp, metric)		441	635	690	700
Gross power, propeller curve (kW)		127	222	350	515
Gross power, propeller curve (hp, metric)		173	302	476	700
Gross torque (Nm)		2578	2973	2690	2342
Spec fuel consumption. Full load (g/kWh)		209	197	197	214
Spec fuel consumption. Propeller curve (l/h)		31	55	86	131
Optimum fuel consumption (g/kWh)		196			
Heat rejection to coolant (kW)		251	309	339	373

**IFN – Intermittent service:** Intended for intermittent use where rated power is available 1 h/3 h. Accumulated load factor must not exceed 80% of rated power. Unlimited h/year service time.

This specification may be revised without notice.

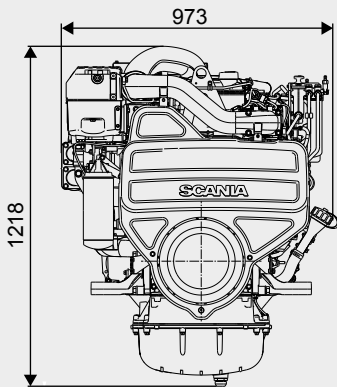
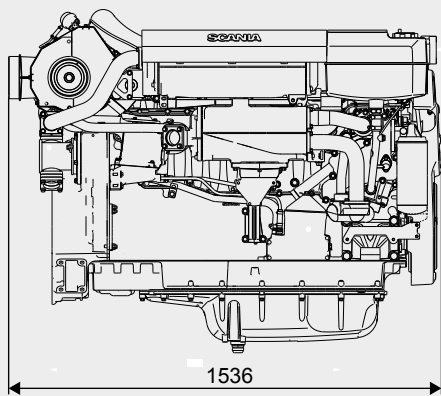


# DI13 087M. 515 kW (700 hp)

US Tier 3, IMO Tier II, EU Stage IIIA

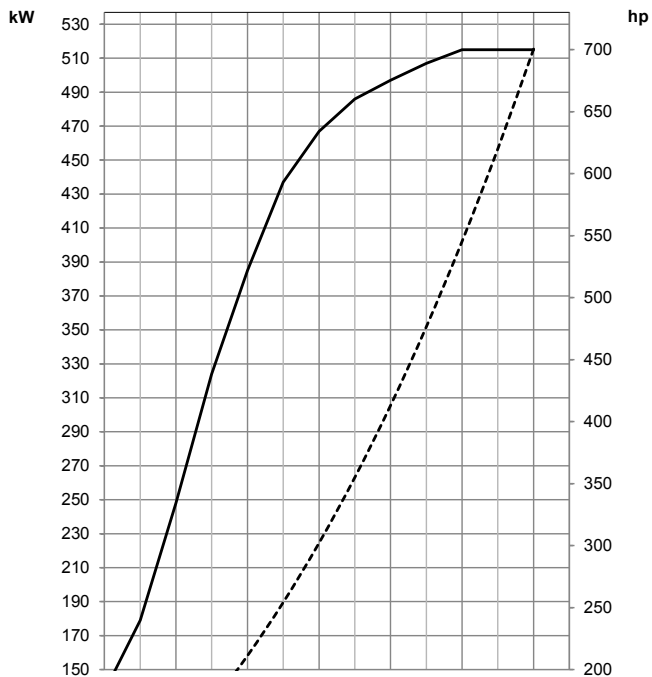
## Engine description

No of cylinders	6 in-line
Working principle	4-stroke
Firing order	1 - 5 - 3 - 6 - 2 - 4
Displacement	12.7 litres
Bore x stroke	130 x 160 mm
Compression ratio	17.3:1
Weight (excl oil and coolant)	1285 kg
Oil capacity	28-34 dm <sup>3</sup> (standard oil sump)
Electrical system	2-pole 24V

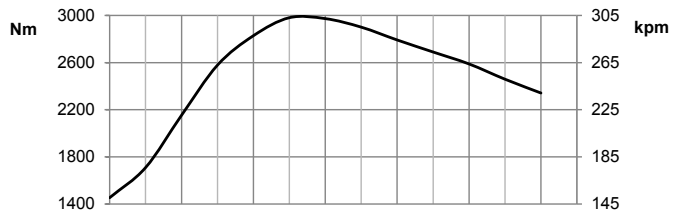


All dimensions in mm

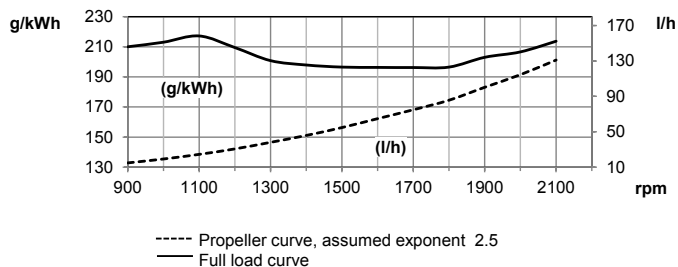
## Output



## Torque



## Spec fuel consumption



----- Propeller curve, assumed exponent 2.5  
 ——— Full load curve

Test conditions Air temperature +25°C. Barometric pressure 100 kPa (750 mmHg). Humidity 30%. Diesel fuel acc. to ECE R 24 Annex 6. Density of fuel 0.840 kg/dm<sup>3</sup>. Viscosity of fuel 3.0 cSt at 40°C. Energy value 42700 kJ/kg. Power test code ISO 3046. Power and fuel values +/-3%.



**SCANIA**

SE 151 87 Södertälje, Sweden  
 Telephone +46 8 553 810 00  
 Telefax +46 8 553 829 93  
 www.scania.com  
 engines@scania.com